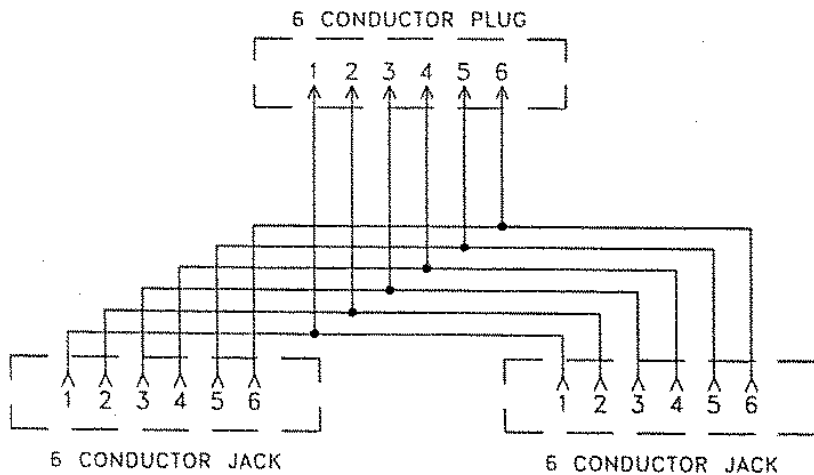


WIRING SCHEMATIC



1 MATERIAL:

ADAPTER - (HOUSING) ABS MOLDING COMPOUND  
(CONTACT) - PHOSPHOR BRONZE, GOLD  
OVER NICKEL PLATE

2. ALL DIMENSIONS ARE APPROXIMATE AND SHOULD  
BE USED FOR REFERENCE ONLY.



DESCRIPTION: MODULAR "I" ADAPTER RJ12

COLOR: IVORY

MATERIAL: 1

DWG NO. D.S. 1933

CHK: D

APRVD: A

REV.:

DWG BY: Q. NGUYEN

DATE: 03-14-2000

DO NOT SCALE

PART NO.:

AMK-0051